



MAKE EVERYTHING EASIER





№10001279664/1310
№1000202796/1310
№1000101279663/1310



№001
CNAS C0142 Z 5



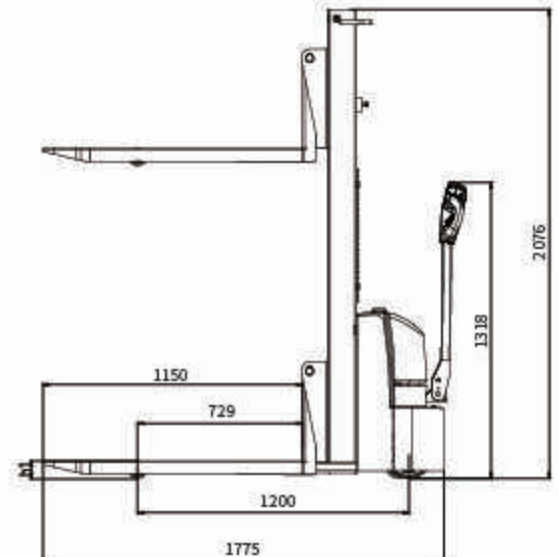
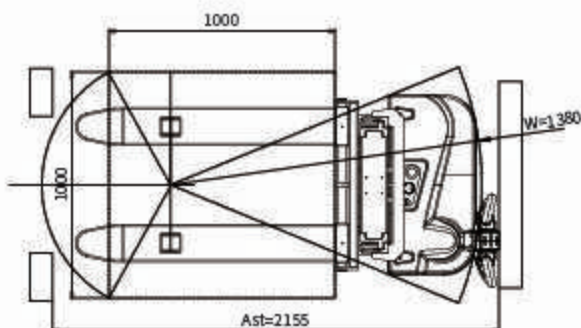
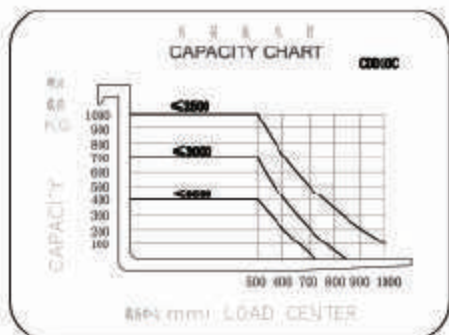
CDDR10 CDDR15

AC

FEATURE FOR CDDR10/CDDR15

- It is a cost-effective walking stacker suitable for medium and short distance transportation and a variety of high-intensity scenarios.
- Built-in high-performance sealed battery, long-term maintenance-free use, no need to add liquid and water during the life.
- Small size, saving space, and smooth passage even in small passages.

Model		CDDR10	CDDR15
Load capacity/rated load	Q(kg)	1000	1500
Load center distance	c(mm)	500	500
Load distance,centre of drive axle to fork	x(mm)	720	720
Fork height,lowered	h_{13} (mm)	85	85
Tyre size,front	mm	Dia210x70	Dia210x70
Tyre size,rear	mm	Dia80x70	Dia80x70
Additional Wheels(dimensions)	mm	Dia125x50	Dia125x50
Wheel,number front rear(x=driven wheels)		1X+1/4	1X+1/4
Height,mast lowered	h_1 (mm)	2075/1825/2075	2075/1825/2075
Max.lift height	h_3 (mm)	1600/2500/3000	1600/2500/3000
Height,mast extended	h_4 (mm)	2075/3037/3537	2075/3037/3537
Height of tiller in drive position min./max.	h_{14} (mm)	-/1318/1318	-/1318/1318
Overall length	l_1 (mm)	1785	1785
Length to face of forks	l_2 (mm)	635	635
Overall width	b_1 (mm)	800	800
Fork dimensions	s/e/l(mm)	65/165/1150	65/165/1150
Width overall forks	b_5 (mm)	680-337	680-337
Aisle width for pallets 800x1200lengthways	A_{st} (mm)	2255	2255
Turning radius	W_a (mm)	1380	1380
Travel speed,laden/unladen	Km/h	3.5/4.0	3.5/4.0
Lift speed,laden/unladen	m/s	0.095/0.101	0.092/0.101
Lowering speed,laden/unladen	m/s	0.096/0.115	0.096/0.115
Battery voltage,nominal capacity K5(Duplex Mast)	V/Ah	2X12/80	2X12/80
Battery weight	kg	2x40	2x40
Battery dimensions l/w/h	mm	262x165x169	262x165x169
Service weight(with battery)	kg	506/546/566	596/626/656





TEL: 0086-532-66739792

FAX: 0086-532-66739791

info@movmes.com

NO.88 Chunyang Road,Chengyang,
QINGDAO,CHINA

www.movmes.com